

OVAL GEAR METER

Model 6210

Kytola® Oval Gear Meter model 6210 is designed for measuring and monitoring of corrosive and viscous liquids.

The flow meter consists of two elliptical gears which the flow rotates. The rotation speed is proportional to the flow rate. This rotation is picked up by an inductive proximity sensor and the pulse signal can be transferred to indicators, counters or automation systems.



Model 6210

FEATURES

- Several flow ranges
- Large viscosity range 30 - 1000 cSt
- Independent of viscosity changes
- Chemical resistant materials
- Pulse output

TYPICAL APPLICATIONS

- Chemical dosing
- Industrial flow monitoring
- Process control

OPTIONS

- Alternative materials
- Thread adapters
- Alternative sensors

6210

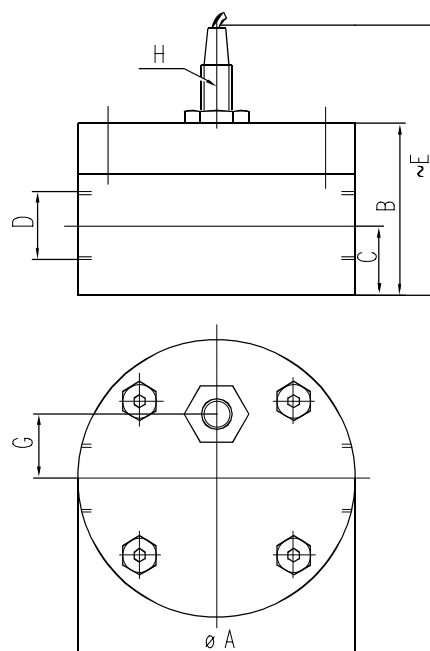
Technical data 6210



Model	6210-1-	6210-2-	6210-4-	6210-10-	6210-20-	6210-30-
Output (pulses/l)	820	450	300	125	74.5	49.5
Weight	330 g	350 g	360 g	930 g	1,0 kg	1,2 kg
Connections	1/4"	1/4"	1/4"	3/4"	3/4"	3/4"
Gears	PVDF					
Body	PVDF / PVC					
Shafts	Hastelloy C					
Seals	Viton® (* EPDM)					
Sensor	Namur; DIN 19234 (* Other types of inductive prox. sensors)					
Max. pressure	10 bar					
Max. temperature	80°C / PVDF body, 40°C / PVC body					
Viscosity range	30 - 1000 cSt					
Accuracy	± 5 % of reading					

*) Special construction on request

6210 -	
	Sensor
	NAMUR -sensor
D	Without sensor (M12x1 thread)
F	PNP/NPN -sensor (2 -wire)
P	PNP -sensor (3 -wire)
T	NPN -sensor (3 -wire)
	Seals
	Viton® -seals
Y	EPDM -seals
	Connections
	BSP - threads
N	NPT - thread adapters
	Body material
K	PVDF - body
P	PVC - body
	Flow range
1	0,1 - 1 l/min
2	0,2 - 2 l/min
4	0,4 - 4 l/min
10	1 - 10 l/min
20	2 - 20 l/min
30	3 - 30 l/min



	A	B	C	D	E	G	H
6210-1-	73	45	18	BSP 1/4"	90	15	M12x1
6210-2-	73	45	18	BSP 1/4"	90	15	M12x1
6210-4-	73	49	22	BSP 1/4"	94	15	M12x1
6210-10-	108	67	27	BSP 3/4"	105	25	M12x1
6210-20-	108	67	27	BSP 3/4"	105	25	M12x1
6210-30-	108	87	27	BSP 3/4"	125	25	M12x1

MANUFACTURER

Kytola
INSTRUMENTS

KYTOLA OY • Olli Kytolan tie 1
P.O. Box 5 • FI-40951 MUURAME • FINLAND
Phone +358 14 339 0600 • Fax +358 14 631 419
E-mail sales@kytola.com • www.kytola.com

LOCAL
REPRESENTATIVE