

FLOW METER

Model **BA**

Model BA variable area flow meter is designed for monitoring of low air flow rates. It has a built-in flow adjustment valve and rapid fittings for plastic hose.



FEATURES

- Acrylic body
- Connections for plastic hose
- Needle valve

TYPICAL APPLICATIONS

- Gas purging for enclosures
- Gas purging for level measurement
- Gas purging for differential pressure measurements

OPTIONS

- Special scale markings
- Hand knob in needle valve
- Viton® or EPDM seals

BA

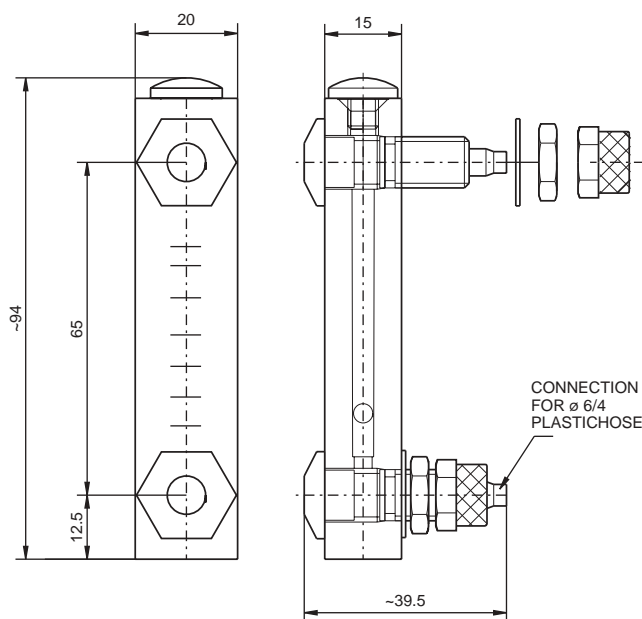


Technical data BA

Body	Acrylic (PMMA)
Valve housing	Aluminium
Valve spindle	AISI 316
Seals	Nitrile (* Viton®, EPDM)
Plug	Nylon
Float	AISI 316
Accuracy	± 10 % (F.S)
Max. pressure	10 bar
Max. temperature	75 °C
Connections	Rapid fittings for o.d. 6 mm / i.d. 4 mm hose
Weight	60 g

*) On request

BA-			
			Special feature
	H		Hand knob in valve
	V		Viton® -seals
	O		Without valve
			Scale
	R		Air (NI/min) at +20°C / 101,3 kPa
	D		1 - 10 relative
			Flow range
4A			0,2 - 1,5 NI/min
5A			0,5 - 7,5 NI/min



MANUFACTURER

Kytola

INSTRUMENTS

KYTOLA OY • Olli Kytolan tie 1
P.O. Box 5 • FI-40951 MUURAME • FINLAND
Phone +358 14 339 0600 • Fax +358 14 631 419
E-mail sales@kytola.com • www.kytola.com

LOCAL REPRESENTATIVE