

KYTOLA® variable area flow meter model V Smart with mA output signal is ideal for applications and environments that benefit from both visual flow reading on site and remote flow rate monitoring in an automation system or control room.



- Safe and reliable visual flow reading and verification through a transparent flow tube
- 4-20 mA output signal for remote monitoring
- No sensors in contact with the fluid
- Reliable measurement of fluids with contaminants
- Sturdy impact resistant construction
- Customer-specific scales for real operating conditions

ISO 9001 ISO 14001



FLOW METER V Smart

FEATURES

- 4-20 mA output, 3-wire
- Alarm LEDs for flow alarm indication
- Compensation for external electromagnetic field effects
- USB-C port for parameter settings
- Configuration with VA Config application

TYPICAL APPLICATIONS




- Cooling water measurement
- Seal water measurement
- Flush water applications
- Air and gas flow measurement

OPTIONS

- With or without flow adjustment valve
- Optional materials for specific applications
- Inductive flow alarm sensor for low and high flow alarms
- Constant flow regulator

Model	VDAS	VDHS	VDKS
End blocks	Aluminium	AISI 316	Nylon
Side plates	AISI 316	AISI 316	AISI 316
Max. pressure	30 bar	30 bar	20 bar
Max. temperature	80°C (*120°C)	80°C (*120°C)	80°C
Weight, incl. mA transmitter	0.85 kg	2.1 kg	1.1 kg
Valve housing	AISI 316	AISI 316	AISI 316
Valve spindle	AISI 316	AISI 316	AISI 316
Flow tube	Grilamid (PA-12) (*PES)		
Connections	G 1/2" or NPT 1/2"		
Float	AISI 329 or AISI 329/PTFE (depending on range)		
Seals	Nitrile (*Viton®, EPDM)		
Accuracy	±5% F.S. (H ₂ O, +20°C)		

*Special construction on request

mA transmitter VA Smart	
Power supply	24 VDC / 0.1 A
Local alarm LEDs	Green (blinks): within set limits  Yellow: high flow alarm  Red: low flow alarm 
Enclosure	Polyamide
Ambient temperature	0...+80°C
Protection class	IP65

VD S - - **M**

End Block Material		
Aluminium (not for H ₂ O)	A	
AISI 316	H	
Nylon	K	

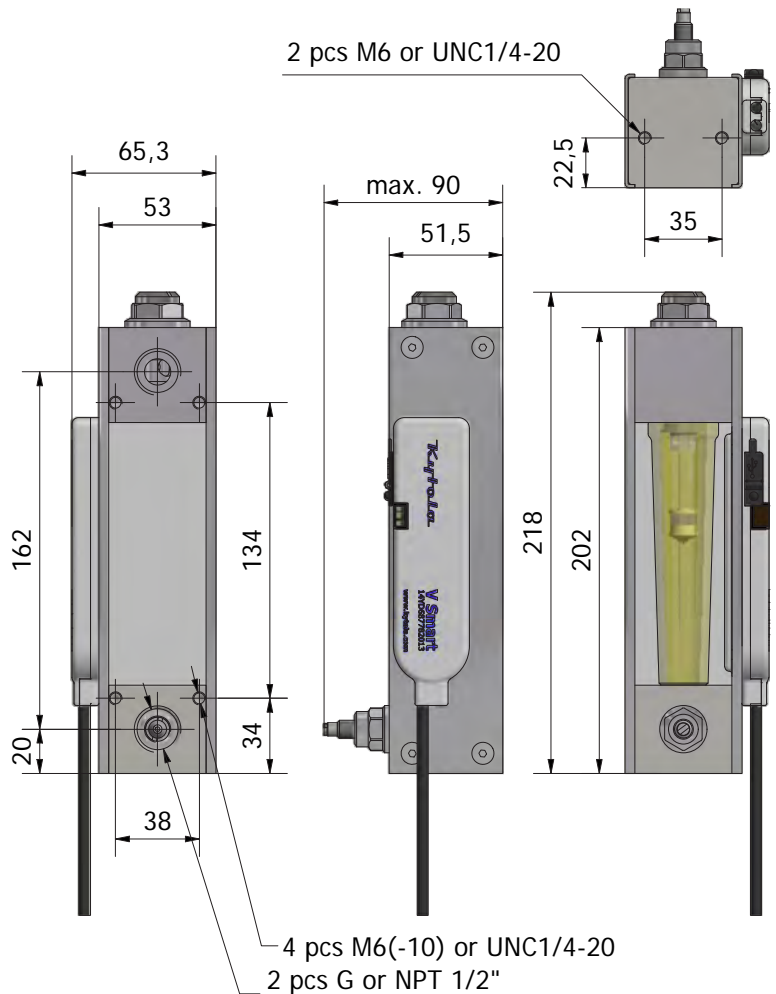
Flow Range			
H ₂ O L/min	Air NL/min		
2 – 9	80 – 280	3L	
2.5 – 10	75 – 325	3M	
3 – 16	100 – 600	4N	
4 – 17	100 – 650	4D	
4 – 22	100 – 1100	4E	
7.5 – 32.5	–	4F	

Scale		
H ₂ O (L/min) at +20°C		A
Air (NL/min) at +20°C/1.013 bar (abs)		R




4 – 20 mA output

Features		
Ready for inductive flow alarm sensor		D
Hand knob in valve		H
G 1/2" connections	<i>blank</i>	
NPT 1/2" connections		N
Grilamid flow tube, nitrile seals	<i>blank</i>	
PES flow tube, nitrile seals		V
PES flow tube, Viton® seals		W
Grilamid flow tube, Viton® seals		X

Standard feature: leave *blank*
Special feature: choose character

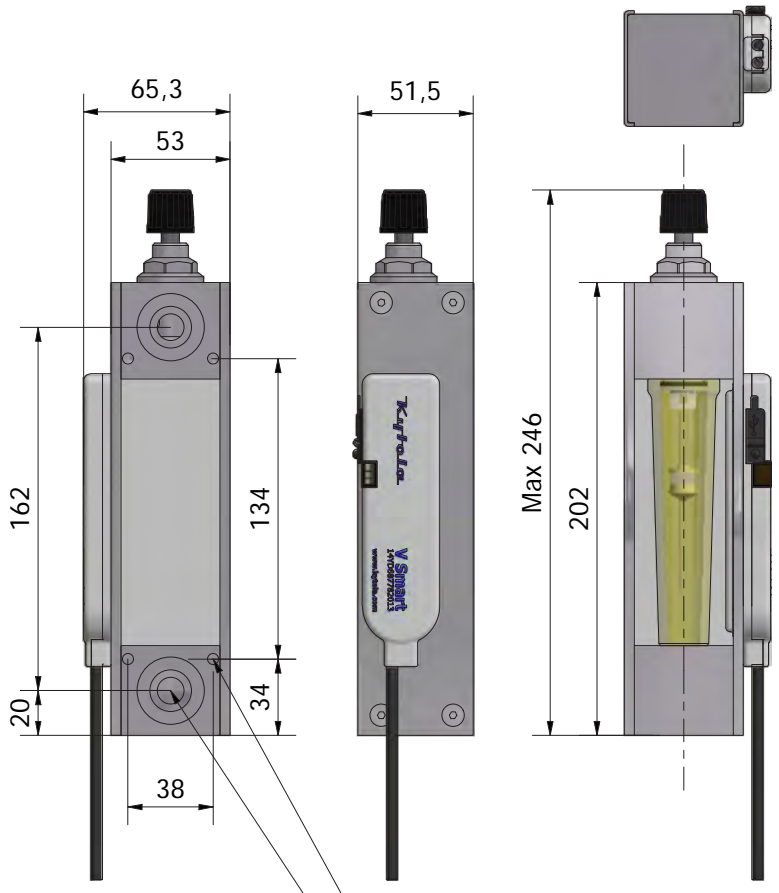


Model	VEAS	VEHS	VEKS
End blocks	Aluminium	AISI 316	Nylon
Side plates	AISI 316	AISI 316	AISI 316
Max. pressure	30 bar	30 bar	20 bar
Max. temperature	80°C (*120°C)	80°C (*120°C)	80°C
Weight, incl. mA transmitter	0.85 kg	2.1 kg	1.1 kg
Valve housing	Aluminium	AISI 316	AISI 316
Valve spindle	AISI 316	AISI 316	AISI 316
Flow tube	Grilamid (PA-12) (*PES)		
Connections	G 1/2" or NPT 1/2"		
Float	AISI 329 or AISI 329/PTFE (depending on range)		
Seals	Nitrile (*Viton®, EPDM)		
Accuracy	±5% F.S. (H ₂ O, +20°C)		
			*Special construction on request

mA transmitter VA Smart	
Power supply	24 VDC / 0.1 A
Local alarm LEDs	Green (blinks): within set limits  Yellow: high flow alarm  Red: low flow alarm 
Enclosure	Polyamide
Ambient temperature	0...+80°C
Protection class	IP65

VE	S	M
End Block Material		
Aluminium (not for H ₂ O)	A	
AISI 316	H	
Nylon	K	
Flow Range		
H ₂ O L/min	Air NL/min	
2 – 9	60 – 260	3L*
2.5 – 10	75 – 300	3M*
2 – 15	75 – 400	4N*
4 – 17	100 – 450	4D*
4 – 22	100 – 650	4E*
5 – 30	150 – 700	4F*
Scale		
H ₂ O (L/min) at +20°C		A
Air (NL/min) at +20°C/1.013 bar (abs)		R
4 – 20 mA output		
Features		
Ready for inductive flow alarm sensor		D
G 1/2" connections	blank	
NPT 1/2" connections		N
Grilamid flow tube, nitrile seals	blank	
PES flow tube, nitrile seals		V
PES flow tube, Viton® seals		W
Grilamid flow tube, Viton® seals		X
Standard feature: leave blank		
Special feature: choose character		

* Air flow ranges (20°C/1.013 bar abs) for calibration purposes only



www.kytola.com



Kytola Instruments Oy
 Olli Kytölä'n tie 1
 FI-40950 Muurame, Finland
 Tel. +358 20 779 0690
 info@kytola.com

Model	VLAS	VLHS	VLKS
End blocks	Aluminium	AISI 316	Nylon
Side plates	AISI 316	AISI 316	AISI 316
Max. pressure	30 bar	30 bar	20 bar
Max. temperature	80°C (*120°C)	80°C (*120°C)	80°C
Weight, incl. mA transmitter	0.85 kg	2.1 kg	1.1 kg
Flow tube	Grilamid (PA-12) (*PES)		
Connections	G 1/2" or NPT 1/2"		
Float	AISI 329 or AISI 329/PTFE (depending on range) Note! Other possible wetted metal parts: AISI 316		
Seals	Nitrile (*Viton®, EPDM)		
Accuracy	±5% F.S. (H ₂ O, +20°C)		
	*Special construction on request		

mA transmitter VA Smart

Power supply	24 VDC / 0.1 A		
Local alarm LEDs	Green (blinks): within set limits	Yellow: high flow alarm	Red: low flow alarm
Enclosure	Polyamide		
Ambient temperature	0...+80°C		
Protection class	IP65		

VL S - - M

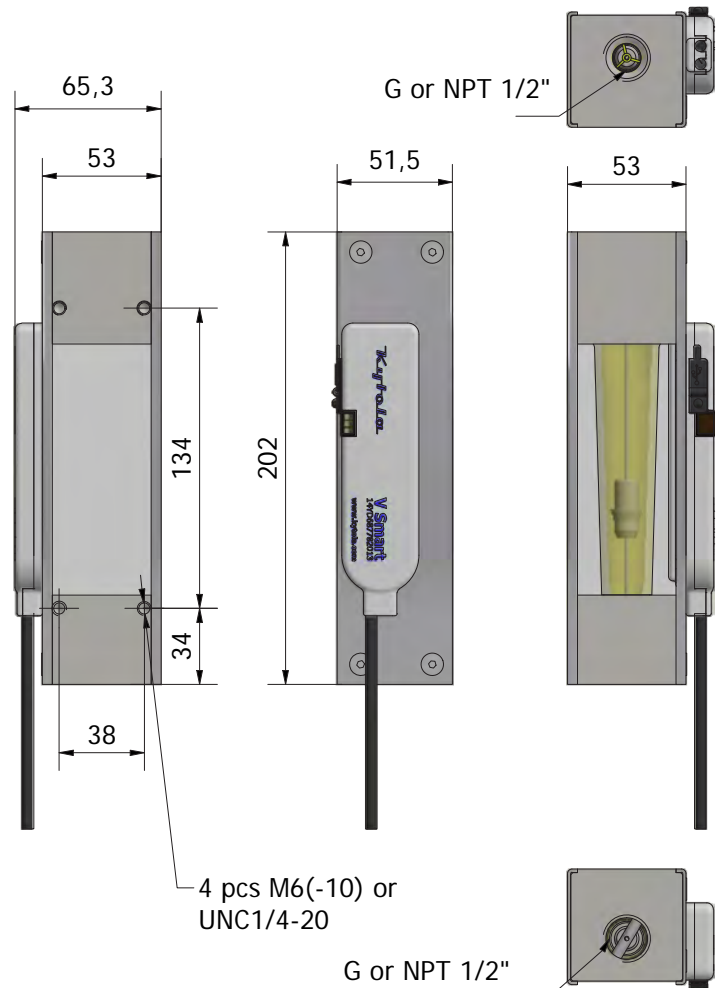
End Block Material		
Aluminium (not for H ₂ O)	A	
AISI 316	H	
Nylon	K	

Flow Range		
H ₂ O L/min	Air NL/min	
2 – 9	80 – 300	3L
3 – 10	75 – 325	3M
2 – 16	75 – 450	4N
3 – 18	100 – 500	4D
4 – 22	100 – 700	4E
5 – 30	150 – 900	4F

Scale		
H ₂ O (L/min) at +20°C		A
Air (NL/min) at +20°C/1.013 bar (abs)		R

Features		
Ready for inductive flow alarm sensor		D
G 1/2" connections		blank
NPT 1/2" connections		N
Grilamid flow tube, nitrile seals		blank
PES flow tube, nitrile seals		V
PES flow tube, Viton® seals		W
Grilamid flow tube, Viton® seals		X

Standard feature: leave blank
Special feature: choose character

4 pcs M6(-10) or
UNC1/4-20

G or NPT 1/2"