

USF / USC

Nominal size of the meter			13	20			
Qmax	Maximum flow rate	m ³ /h	3	5			
Qn	Nominal continuous flow rate	m ³ /h	1,5	2,5			
Qt	Transitional flow rate with $\pm 2\%$ error in class 'B'	l/h	120	200			
Qmin	Minimum flow rate with $\pm 5\%$ error in class 'B'	l/h	30	50			
Qt	Transitional flow rate with $\pm 2\%$ error in class 'A'	l/h	150	250			
Qmin	Minimum flow rate with $\pm 5\%$ error in class 'A'	l/h	60	100			
	Starting flow	l/h	7	15			
	Minimum reading	m ³	0,0001	0,0001			
	Maximum reading	m ³	100.000	100.000			
	Working pressure	bar	16	16			
	Lenght 'A' without pipe fittings	mm	110 (80) (115) (170)	130			
	Lenght with pipe fittings	mm	190 (160) (195) (250)	228			
	Maximum diameter 'B'	mm	72	72			
	Height 'C' with open lid	mm	138	143			
	Height 'D' without lid	mm	66	70			
	Height of tube 'F'	mm	16	19			
	Weight including pipe fittings	kg	0,660	0,840			
	Weight without pipe fittings	kg	0,500	0,600			

MODELS:

FOR COLD WATER UP TO 30 °C

USF/13 EEC approved B89
317.07

USF/20 EEC approved B91
317.12

FOR HOT WATER UP TO 90 °C

USC/13 EEC approved B89
45.01

USC/20 EEC approved B91
45.02

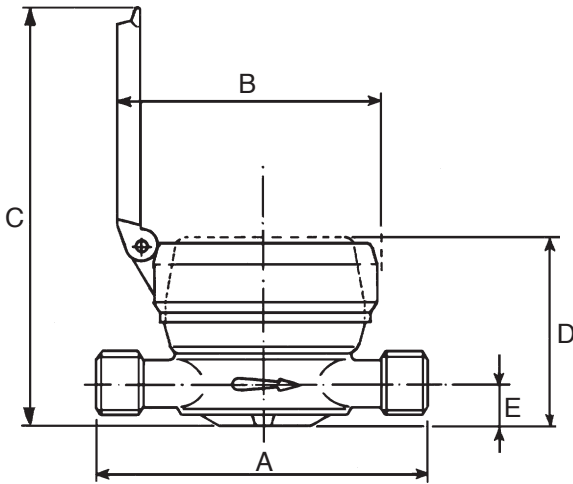
FOR COLD WATER UP TO 30 °C

equipped with water volume increase compensation system when frosting

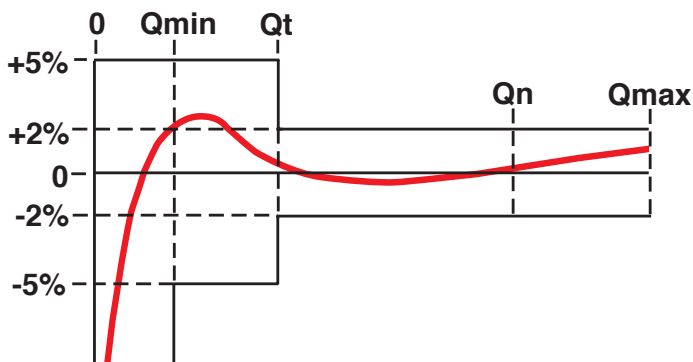
USF-SA/13 EEC approved B89
317.07

USF-SA/20 EEC approved B91
317.12

The Company's policy is one of continuous product improvement and the right is reserved to modify the specifications contained herein without notice



TYPICAL ACCURACY CURVE



HEAD LOSS DIAGRAM

